

ELECTRONIC FUEL NOZZEL MOUNT

For ALL DIESEL FUEL
NOZZELS

Generally, drive-away incidents can occur when the diesel fuel nozzle is left connected to the machine after refuelling has finished. To avoid serious risk or damage to the operator, vehicle and the fuel dispensing system, many sites utilise detection systems to alert operators of the nozzle still being connected.

The FloMAX FN-EMOUNT is an electronic diesel fuel nozzle holster that provides durable and reliable solution for mining and other refuelling applications which works with all 24V sensor systems.



Quality Engineered Systems | www.jsgindustrial.com

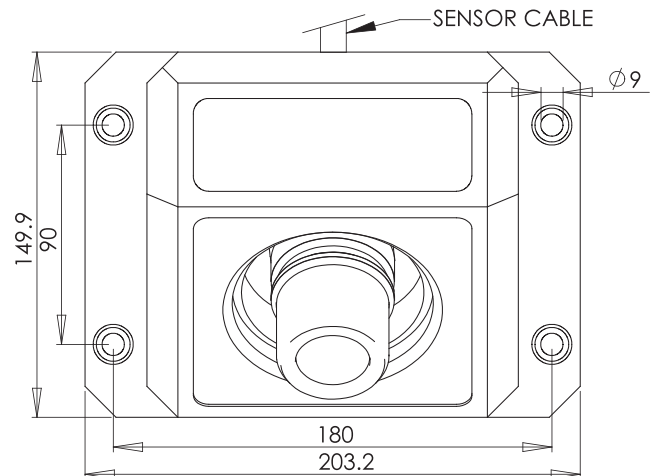
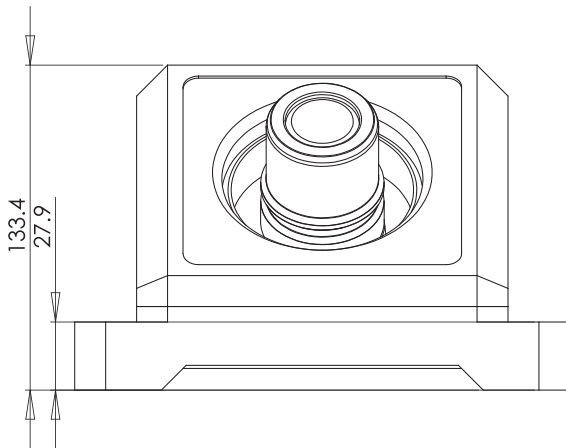


FloMAX Electronic Fuel Nozzle Mount

Features & Benefits

- Can be used across all industry standard fuel nozzles with no modifications
- Removable wear sleeve component - replacing the sleeve at a fraction of the cost and not the whole unit once worn out
- Designed and manufactured in the USA
- 100% billet aluminum construction
- Designed for harsh and extreme weather conditions
- Works on all 24 V sensor systems for visual or audible alarms to prevent drive-away incidents
- Built-in integral drain to provide appropriate drainage from residual diesel in the nozzle
- Superior compact design compared with similar products available in the market

FLOMAX
INTERNATIONAL



PART NO.	DESCRIPTION
53-FN-EMOUNT	Electronic fuel nozzle mount

