

TOOL BALANCE REELS

For tools from 0.5 to 23 pounds

RELIABLE & ECONOMICAL SERIES "ED"



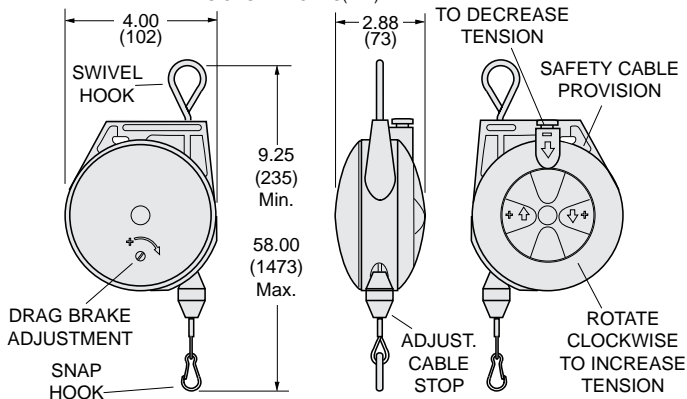
SERIES "ED" TOOL BALANCERS are the economical choice for balancing tools weighing up to 5 lbs(2.3kg). Molded ABS housing has a smooth exterior with rounded edges designed for maximum ergonomic appeal. Series "ED" balancers are the most modern, easiest to adjust, and reliable available. Each balancer incorporates all of the important functions expected of a world class product.

SEVEN WAYS BETTER:

- 1- Hand-windable spring tension adjustment knob is flush with the housing.
- 2- Push-button tension release simplifies decrease of spring tension.
- 3- Rugged steel upper swivel hook with secondary safety cable provision.
- 4- Over-sized cable opening with direct in-line pull to reduce cable wear.
- 5- 270 lb(121.5kg) test 0.047"(1.2mm) dia. 7 x 7 strand galvanized steel aircraft cable nylon covered to 0.063"(1.6mm) O.D.
- 6- Adjustable cable stop and lower safety hook.
- 7- Matte black finish to minimize reflected light and reduce eye strain.

SERIES "ED" DIMENSIONS

ALL DIMENSIONS IN INCHES(mm)



SELECTION CHART

MIN - MAX LOAD lbs. (kg.)	CABLE LENGTH* ft. (m.)	REEL WEIGHT lbs. (kg.)	MODEL NUMBER
0.5 - 1.5 (0.2 - 0.7)	6 (1.8)	1.3 (0.6)	ED-01
1.5 - 3.0 (0.5 - 1.4)	6 (1.8)	1.3 (0.6)	ED-03
3.0 - 5.0 (1.4 - 2.3)	6 (1.8)	1.5 (0.7)	ED-05

*Cable lengths listed are for "active" or "working" cable. Includes cable stop and safety hook.

HEAVY DUTY SERIES "EG"

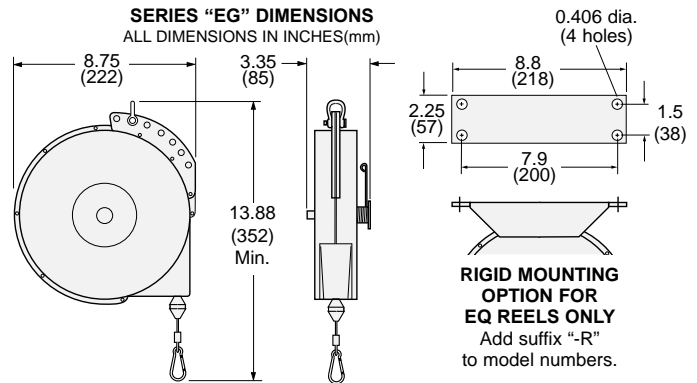
SERIES "EG" reels feature rugged steel construction with black polyester baked finish, reinforced hanging bracket with forged clevis for ceiling mounting and extra holes for safety chain attachment. Spring is permanently lubricated and provides constant tension, adjustable for balancing tool in normal working zone (6 - 18 in. [152-457mm]). Cable is 920 lb.(414kg) test 0.09"(2.3mm) dia. 7 x 7 strand galvanized steel aircraft cable nylon covered to 0.12"(3.0mm) O.D. Includes safety tool clip and adjustable cable stop.



LOCKING MODELS include all features listed above plus a positive ratchet lock mechanism to allow locking of the cable at a specific height. A slight pull on the cable releases the lock which functions like a window shade. Lock feature may be disengaged externally when constant tension is required.

SERIES "EG" DIMENSIONS

ALL DIMENSIONS IN INCHES(mm)



SELECTION CHART

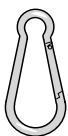
MIN - MAX LOAD lbs. (kg.)	CABLE LENGTH* ft. (m.)	RATCHET LOCK	REEL WEIGHT lbs. (kg.)	MODEL NUMBER
BALANCERS (CONSTANT PULL REELS) May be adjusted to balance through 6-18 in. (152-457mm) range.				
3 - 7 (1.4 - 3.2)	8 (2.4)	No	6 (2.7)	EG-03
5 - 10 (2.3 - 4.5)	8 (2.4)	No	6 (2.7)	EG-07
8 - 12 (3.6 - 5.4)	8 (2.4)	No	7 (3.2)	EG-10
10 - 15 (4.5 - 6.8)	8 (2.4)	No	8 (3.6)	EG-15
16 - 23 (7.2 - 10.4)	8 (2.4)	No	8 (3.6)	EG-20
16 - 23 (7.2 - 10.4)	8 (2.4)	No	8 (3.6)	EG-20SH**
22 - 27 (9.9 - 12.2)	8 (2.4)	No	8 (3.6)	EG-25

MIN - MAX LOAD lbs. (kg.)	CABLE LENGTH* ft. (m.)	RATCHET LOCK	REEL WEIGHT lbs. (kg.)	MODEL NUMBER
RETRACTORS (RATCHET LOCK) Retract tool upward when manually released				
3 - 7 (1.4 - 3.2)	8 (2.4)	Yes	6 (2.7)	EG-03-L
5 - 10 (2.3 - 4.5)	8 (2.4)	Yes	6 (2.7)	EG-07-L
8 - 12 (3.6 - 5.4)	8 (2.4)	Yes	7 (3.2)	EG-10-L
10 - 15 (4.5 - 6.8)	8 (2.4)	Yes	8 (3.6)	EG-15-L
16 - 23 (7.2 - 10.4)	8 (2.4)	Yes	8 (3.6)	EG-20-L
16 - 23 (7.2 - 10.4)	8 (2.4)	Yes	8 (3.6)	EG-20-LSH**
22 - 27 (9.9 - 12.2)	8 (2.4)	Yes	8 (3.6)	EG-25-L

MIN - MAX LOAD lbs. (kg.)	CABLE LENGTH* ft. (m.)	RATCHET LOCK	REEL WEIGHT lbs. (kg.)	MODEL NUMBER
TORQUE REELS (RATCHET LOCK AND LONGER CABLE)				
3 - 7 (1.4 - 3.2)	15.0 (4.5)	Yes	8 (3.6)	EQ1507***
5 - 10 (2.3 - 4.5)	15.0 (4.5)	Yes	10 (4.5)	EQ1510***
10 - 15 (4.5 - 6.8)	15.0 (4.5)	Yes	12 (5.4)	EQ1515***

*Cable lengths listed are "active" or "working" cable.
**Includes EG-SH "Shock Stop". See Below.
***Clevis mount. For rigid mount add "-R" to model number.

BALANCER ACCESSORIES



ESTC-01 SAFETY CLIP

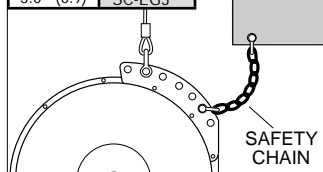
Bright zinc plated steel safety latch for tool attachment and other uses. Measures 2.375"(60mm) long. One included with each EG reel. Rated capacity-70 lbs.

SAFETY CABLE/CHAIN

Strongly recommended, secondary steel cable or steel link chain. Prevents balancer from accidental fall. Balancers have extra holes for cable or chain.

LENGTH ft. (m)	MODEL NO.
1.0 (0.3)	SC-ED1**
1.0 (0.3)	SC-EG1**
2.0 (0.6)	SC-EG2**
3.0 (0.9)	SC-EG3**

*Nylon covered steel cable.
**Steel link chain.



CLEVIS HANGERS

Galvanized forged steel hangers for mounting balancers, torque reels, etc. Measure 0.50" (13mm) between jaws. One ECVF-01 straight clevis included with each "EG" & "EQ" reel. ECVF-11 swivel clevis is optional extra. Pins included. Rated capacity-500 lbs.



ADJUSTABLE CABLE SADDLE

Hangs from balancer cable above tool to provide strain relief for electrical cable or air hose. Available in three sizes. Includes safety clip.

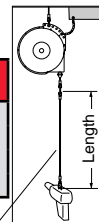


CABLE DIAMETER in. (mm)	MODEL NO.
0.3 - 0.59 (7 - 14)	ECS-F1
0.6 - 0.94 (15 - 23)	ECS-F2
0.95 - 1.25 (24 - 31)	ECS-F3

OVERHANG CABLE

Nylon covered steel cable with safety clip. Brings tool closer to work area without unwinding cable from reel or mounting reel at a lower height.

LENGTH ft. (m)	MODEL NO.
3 (0.9)	EOC-03
5 (1.5)	EOC-05
10 (3.0)	EOC-10
15 (4.6)	EOC-15



"SHOCK STOP" SHOCK ABSORBER



Minimize cable damage often caused by over-tensioning tool balancers. "Shock Stop" kit is easily installed. Can be used on any Series EG balancer. Kit includes spring, cable stops, all hardware.

MODEL NO.
EG-SH

For tools from 1.1 to 308 pounds

**Heavy-duty construction. Tapered drum compensates for changing spring rate.
Direct spring powered...no motors or expensive gear trains to break or wear out.**

Series "EH" Tapered Drum tool balancers keep tools within reach and reduce damage to tools by suspending them out of the way above the work surface. Risk of repetitive motion injury is reduced because only a light, downward force is required to place the tool in proper operating position. As the tool is lowered, and the spring is wound more tightly, the effective drum diameter increases to compensate for the increased force. Thus, when properly adjusted, the tapered drum keeps the tool at the positioned height.

Features include:

- Rugged die cast aluminum housing.
- Both top and bottom hooks have spring-loaded safety latches.
- Heavy duty steel wire rope.
- Automatic safety catch...prevents free-spooling if springs fail (not available on EH-02/EH-05).
- Easy adjustment with everyday tools from outside housing.



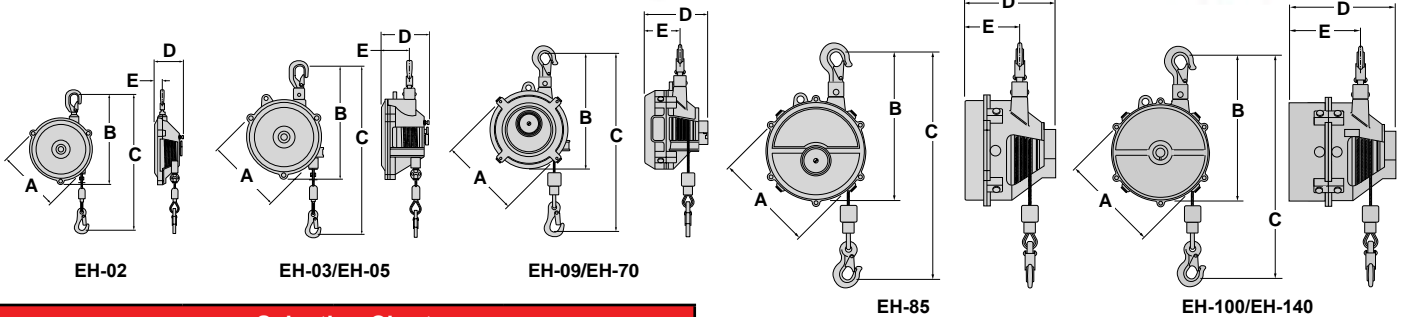
Models "EH-02" through "EH-05"



Models "EH-09" through "EH-70"



Models "EH-85" through EH-140



Selection Chart			
For Tool Weighing*	Cable Travel	Shipping Weight	Model Number
1.1 - 4.4 lbs.	3.3 ft.	2.2 lbs.	EH-02
2.2 - 6.6 lbs.	4.3 ft.	2.8 lbs.	EH-03
5.5 - 11 lbs.	4.3 ft.	3.3 lbs.	EH-05
9 - 20 lbs.	3.9 ft.	13.4 lbs.	EH-09
20 - 33 lbs.	3.9 ft.	13.4 lbs.	EH-15
33 - 48 lbs.	4.5 ft.	22.6 lbs.	EH-22
48 - 66 lbs.	4.5 ft.	22.6 lbs.	EH-30
66 - 88 lbs.	4.5 ft.	27.0 lbs.	EH-40
88 - 110 lbs.	4.5 ft.	27.0 lbs.	EH-50
110 - 132 lbs.	4.5 ft.	31.4 lbs.	EH-60
132 - 154 lbs.	4.5 ft.	31.4 lbs.	EH-70
154 - 187 lbs.	4.5 ft.	58.4 lbs.	EH-85
187 - 220 lbs.	4.5 ft.	56.0 lbs.	EH-100
220 - 264 lbs.	4.5 ft.	60.0 lbs.	EH-120
264 - 308 lbs.	4.5 ft.	61.0 lbs.	EH-140

Dimensional Chart					
Model	A	B	C**	D	E
EH-02	5.00 in.	7.25 in.	11.25 in. min.	1.81 in	0.81 in
EH-03/EH-05	5.83 in.	8.25 in	12.50 in. min.	2.72 in.	1.44 in
EH-09/EH-15	7.00 in.	10.00 in.	13.00 in. min.	5.50 in.	2.88 in
EH-22/EH-70	8.60 in.	12.60 in.	17.00 in. min.	6.40 in.	3.19 in.
EH-85	9.50 in.	14.00 in.	20.00 in. min	9.75 in.	5.38 in
EH-100/EH-140	9.50 in.	14.00 in.	21.00 in. min	9.75 in.	5.38 in

** Minimum height fully retracted, inside of hook to inside of hook.

Safety Chain (recommended)		
Description	Shipping Weight	Model Number
2.0 ft. Steel Link Chain w/ Clevises	1.5 lbs.	SC-EH2
3.0 ft. Steel Link Chain w/ Clevises	2.0 lbs.	SC-EH3

* Tool weight includes hose or cord and other attachments which must be supported by balancer.

ACCESSORIES for EH TOOL BALANCERS

Series EH Tool Balancer Accessories					
Balancer Model No.	Capacity		Safety Chain	Overhang Cable (4)	Tool Trolley
	Lbs.	(Kg)			
EH-02 (1)	1.1 - 4.4	(0.5 - 2.0)	NONE	OC-XX	WS30-BTL (6)
EH-03 (1)	2.2 - 6.6	(1.0 - 3.0)	SC-EG3	OC-XX	WS30-BTL (6)
EH-05 (1)	5.5 - 11	(2.5 - 5.0)	SC-EG3	OC-XX	WS30-BTL (6)
EH-09 (1)	9 - 20	(4.1 - 9.1)	SC-EG3	OC-XX (5)	WS50-BTL
EH-15 (2)	20 - 33	(9.1 - 15)	SC-EG3	OC-XX (5)	WS50-BTL
EH-22 (2)	33 - 48	(15 - 21.8)	SC-EG3	OC5MB-XX	WS50-BTL
EH-30 (2)	48 - 66	(21.8 - 30.0)	SC-EG3	OC5MB-XX	WS60-BT
EH-40 (2)	66 - 88	(30.0 - 40.0)	SC-EH3	OC5MB-XX	WS60-BT
EH-50 (2)	88 - 110	(40.0 - 50.0)	SC-EH3	OC5MB-XX	WS60-BT
EH-60 (2)	110 -132	(50.0 - 60.0)	SC-EH3	OC5MB-XX	WS60-BT
EH-70 (2)	132 -154	(60.0 - 70.0)	SC-EH3	OC5MB-XX	WS60-BT
EH-85 (2)	154 -187	(70.0 - 85.0)	SC-EH3	OC8MB-XX	WS60-BT
EH-100 (3)	187 - 220	(85.0 - 100.0)	SC-EH3	OC8MB-XX	W6S-BT
EH-120 (3)	220 - 264	(100.0 -120.0)	SC-EH3	OC8MB-XX	W6S-BT
EH-140 (3)	264 - 308	(120.0 - 140.0)	SC-EH3	OC8MB-XX	W6S-BT

NOTES:

- (1) Balancer hook will fit WS30-BTL or WS50-BTL Tool Trolley.
- (2) Balancer hook will fit either WS50-BTL or WS60-BT or W6S-BT Tool Trolley.
- (3) Balancer hook will fit only W6S-BT Tool Trolley.
- (4) "XX" = Length req'd, When ordering indicate, -03 = 3 ft., -05 = 5 ft. or -10 = 10 ft.
- (5) Use with EH-09 or EH-15 requires one additional ESCT-01 Safety Clip.
- (6) WS50-BTL may also be used with EH-02, EH-03 and EH-05.

