

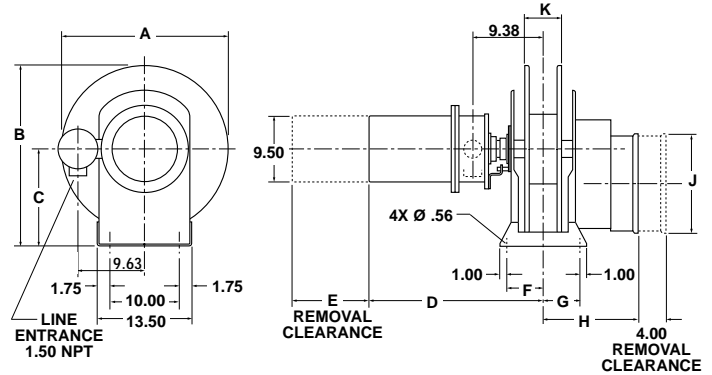
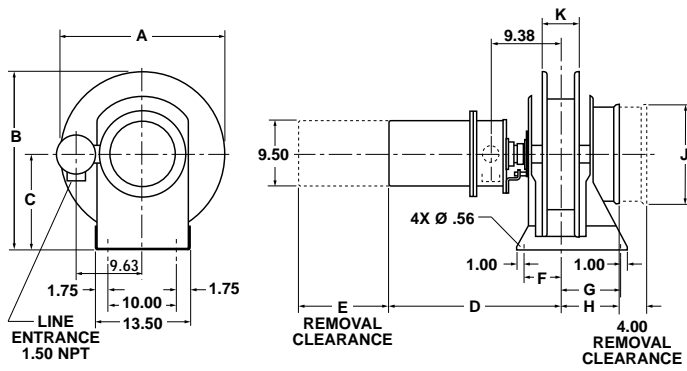
## Series “SZ” Spring-Driven Hazardous Duty Cable Reels

All the features of a Gleason Series “S” cable reel PLUS collector enclosure and cable path designed for use in hazardous locations (NEMA 7, 8 & 9).  
Class I, Groups C & D and Class II, Groups E, F & G, Division 1 & 2.  
Direct or Gear Driven, depending on cable requirements and application.

- Pre-wired, pre-potted leads from collector to NEMA 7–9 junction box for easy wiring.
- Rugged welded steel frame is built to last.
- One-piece slip ring assembly can be removed as a unit. Fast, easy slip ring brush replacement.
- High-quality Safetychange® self contained spring motor.
- Optional Cable Guides with Rollers, Hoop Guides and Cable Stops available.
- Machine mountable.
- Sizes to accommodate wide range of cable sizes and lengths.



# SZ Spring Powered Hazardous Duty Cable Reel



| SZ Reel Dimensions—Direct Drive |       |       |       |      |      |      |
|---------------------------------|-------|-------|-------|------|------|------|
| Size                            | A     | B     | C     | F    | G    | K    |
| SZ16                            | 16.00 | 18.50 | 10.00 | 5.25 | 5.25 | 5.25 |
| SZ18                            | 18.00 | 20.00 | 11.00 | 5.25 | 5.25 | 5.25 |
| SZ21                            | 21.00 | 23.00 | 12.50 | 5.25 | 5.25 | 5.25 |
| SZ24                            | 24.00 | 26.00 | 14.00 | 5.25 | 8.75 | 5.25 |
| SZ28                            | 28.00 | 30.00 | 16.00 | 6.25 | 9.75 | 7.25 |
| SZ32                            | 32.00 | 34.00 | 18.00 | 6.25 | 9.75 | 7.25 |

| SZ Reel Dimensions—Gear Drive |       |       |       |      |      |      |
|-------------------------------|-------|-------|-------|------|------|------|
| Size                          | A     | B     | C     | F    | G    | K    |
| SZ21                          | 21.00 | 23.00 | 12.50 | 5.25 | 5.25 | 5.25 |
| SZ24                          | 24.00 | 26.00 | 14.00 | 5.25 | 8.75 | 5.25 |
| SZ28                          | 28.00 | 30.00 | 16.00 | 6.25 | 9.75 | 7.25 |
| SZ32                          | 32.00 | 34.00 | 18.00 | 6.25 | 9.75 | 7.25 |

| Spring Motor Dimensions—Direct Drive |          |          |           |          |          |
|--------------------------------------|----------|----------|-----------|----------|----------|
| Model No.                            | Dim. "H" | Dim. "J" | Model No. | Dim. "H" | Dim. "J" |
| SZ16351                              | 7.10     | 10.56    | SZ24803   | 12.88    | 14.38    |
| SZ16601                              | 7.10     | 10.56    | SZ24804   | 15.50    | 14.38    |
| SZ16621                              | 7.62     | 14.38    | SZ241001  | 8.50     | 14.38    |
| SZ16622                              | 10.25    | 14.38    | SZ241002  | 11.88    | 14.38    |
| SZ16751                              | 7.62     | 10.56    | SZ28624   | 16.50    | 14.38    |
| SZ16801                              | 7.62     | 14.38    | SZ28751   | 8.62     | 10.56    |
| SZ18621                              | 7.62     | 14.38    | SZ28752   | 11.25    | 10.56    |
| SZ18622                              | 10.25    | 14.38    | SZ28753   | 13.88    | 10.56    |
| SZ18751                              | 7.62     | 10.56    | SZ28754   | 16.50    | 10.56    |
| SZ18801                              | 7.62     | 14.38    | SZ28801   | 8.62     | 14.38    |
| SZ18802                              | 10.25    | 14.38    | SZ28802   | 11.25    | 14.38    |
| SZ21621                              | 7.62     | 14.38    | SZ28803   | 13.88    | 14.38    |
| SZ21622                              | 10.25    | 14.38    | SZ28804   | 16.50    | 14.38    |
| SZ21751                              | 7.62     | 10.56    | SZ281001  | 9.50     | 14.38    |
| SZ21752                              | 10.25    | 10.56    | SZ281002  | 12.88    | 14.38    |
| SZ21801                              | 7.62     | 14.38    | SZ281003  | 16.25    | 14.38    |
| SZ21802                              | 10.25    | 14.38    | SZ281004  | 19.62    | 14.38    |
| SZ211001                             | 8.50     | 14.38    | SZ32801   | 8.62     | 14.38    |
| SZ24623                              | 12.88    | 14.38    | SZ32802   | 11.25    | 14.38    |
| SZ24624                              | 15.50    | 14.38    | SZ32803   | 13.88    | 14.38    |
| SZ24751                              | 7.62     | 10.56    | SZ32804   | 16.50    | 14.38    |
| SZ24752                              | 10.25    | 10.56    | SZ321001  | 9.50     | 14.38    |
| SZ24753                              | 12.88    | 10.56    | SZ321002  | 12.88    | 14.38    |
| SZ24801                              | 7.62     | 14.38    | SZ321003  | 16.25    | 14.38    |
| SZ24802                              | 10.25    | 14.38    | SZ321004  | 19.62    | 14.38    |

| Spring Motor Dimensions—Gear Drive |          |          |           |          |          |
|------------------------------------|----------|----------|-----------|----------|----------|
| Model No.                          | Dim. "H" | Dim. "J" | Model No. | Dim. "H" | Dim. "J" |
| SZ21801                            | 12.62    | 14.38    | SZ28803   | 18.88    | 14.38    |
| SZ21802                            | 15.25    | 14.38    | SZ28804   | 21.50    | 14.38    |
| SZ21803                            | 17.88    | 14.38    | SZ281001  | 14.50    | 14.38    |
| SZ21804                            | 20.50    | 14.38    | SZ281002  | 17.88    | 14.38    |
| SZ211001                           | 13.50    | 14.38    | SZ281003  | 21.25    | 14.38    |
| SZ211002                           | 16.88    | 14.38    | SZ281004  | 24.62    | 14.38    |
| SZ24801                            | 12.62    | 14.38    | SZ32801   | 14.38    | 14.38    |
| SZ24802                            | 15.25    | 14.38    | SZ32802   | 17.88    | 14.38    |
| SZ24803                            | 17.88    | 14.38    | SZ32803   | 21.38    | 14.38    |
| SZ24804                            | 20.50    | 14.38    | SZ32804   | 24.88    | 14.38    |
| SZ241001                           | 13.50    | 14.38    | SZ321001  | 15.25    | 14.38    |
| SZ241002                           | 16.88    | 14.38    | SZ321002  | 18.75    | 14.38    |
| SZ28801                            | 13.62    | 14.38    | SZ321003  | 22.25    | 14.38    |
| SZ28802                            | 16.25    | 14.38    | SZ321004  | 25.75    | 14.38    |

| Slip Ring Housing Dimensions            |       |       |       |       |       |       |
|---|-------|-------|-------|-------|-------|-------|
|   | 23    | 63    | 103   | 143   | 203   | 303   |
|   | 33    | 83    | 123   | 163   | 243   | 363   |
| Second Series of Digits in Model Number | 43    | 27    | 312   | 412   |       |       |
|   |       | 37    | 420   |       |       |       |
|   |       | 47    |       |       |       |       |
|   |       | 212   |       |       |       |       |
|   |       | 220   |       |       |       |       |
|   |       | 320   |       |       |       |       |
| (SZ16–SZ24)                             |       |       |       |       |       |       |
| Dimension "D"                           | 20.00 | 23.00 | 25.00 | 31.00 | 34.75 | 41.12 |
| Dimension "E"                           | 8.00  | 11.00 | 13.00 | 19.00 | 22.63 | 29.00 |
| (SZ28 & SZ32)                           |       |       |       |       |       |       |
| Dimension "D"                           | 22.00 | 25.00 | 27.00 | 33.00 | 36.75 | 43.12 |
| Dimension "E"                           | 8.00  | 11.00 | 13.00 | 19.00 | 22.63 | 29.00 |



**Gleason Reel Corp.**  
 600 South Clark Street • P.O. Box 26  
 Mayville, WI 53050  
 Phone: 920-387-4120  
 www.gleasonreel.com